



LIPSA 2019 November USPSA Match

Stage 1 – House Rules II

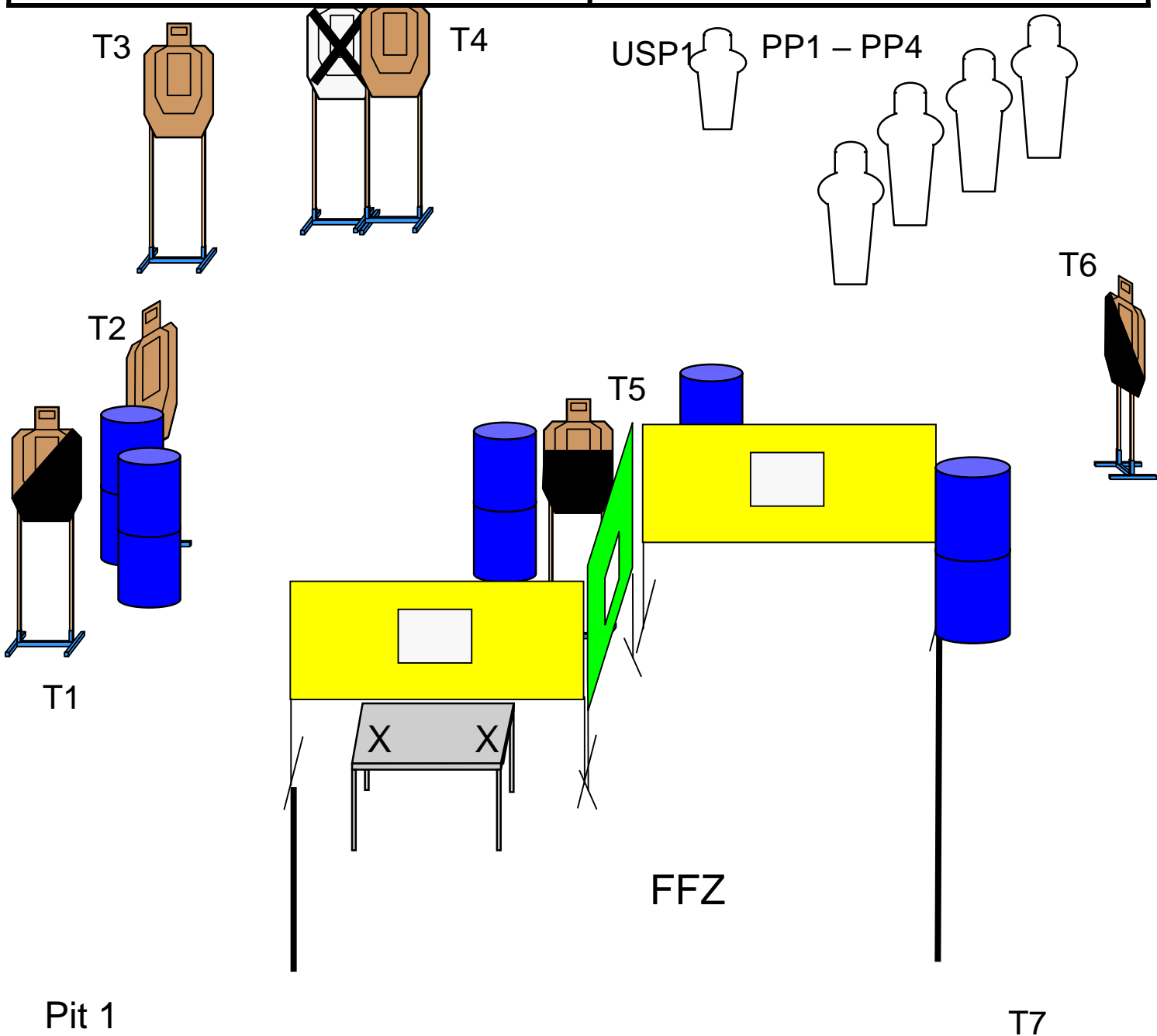
Course Designer: R. Esposito

START POSITION: Facing downrange, standing behind table with palms of hands flat on each X.

GUN READY CONDITION: Pistol loaded and holstered IAW USPSA rules
PCC start: Loaded on table with muzzle pointed safely downrange

SCORING: Comstock, 17 rounds, 85 points
TARGETS: 6 paper, 5 steel
SCORED HITS: Best 2 per paper, KD steel = 1A
START-STOP: Audible - Last shot
RULES: USPSA current edition

STAGE PROCEDURE: Upon start signal, engage all targets as they appear from within the FFZ.





LIPSA 2019 November USPSA Match

Stage 2 – Seems Simple II

Course Designer: R. Esposito

START POSITION: Standing anywhere in FFZ, facing downrange, wrists above shoulders

GUN READY CONDITION: Pistol loaded and holstered IAW USPSA rules.

PCC Start: Stock touching belt, with muzzle pointed safely downrange.

STAGE PROCEDURE: Upon start signal, engage all targets as they appear from within the FFZ.

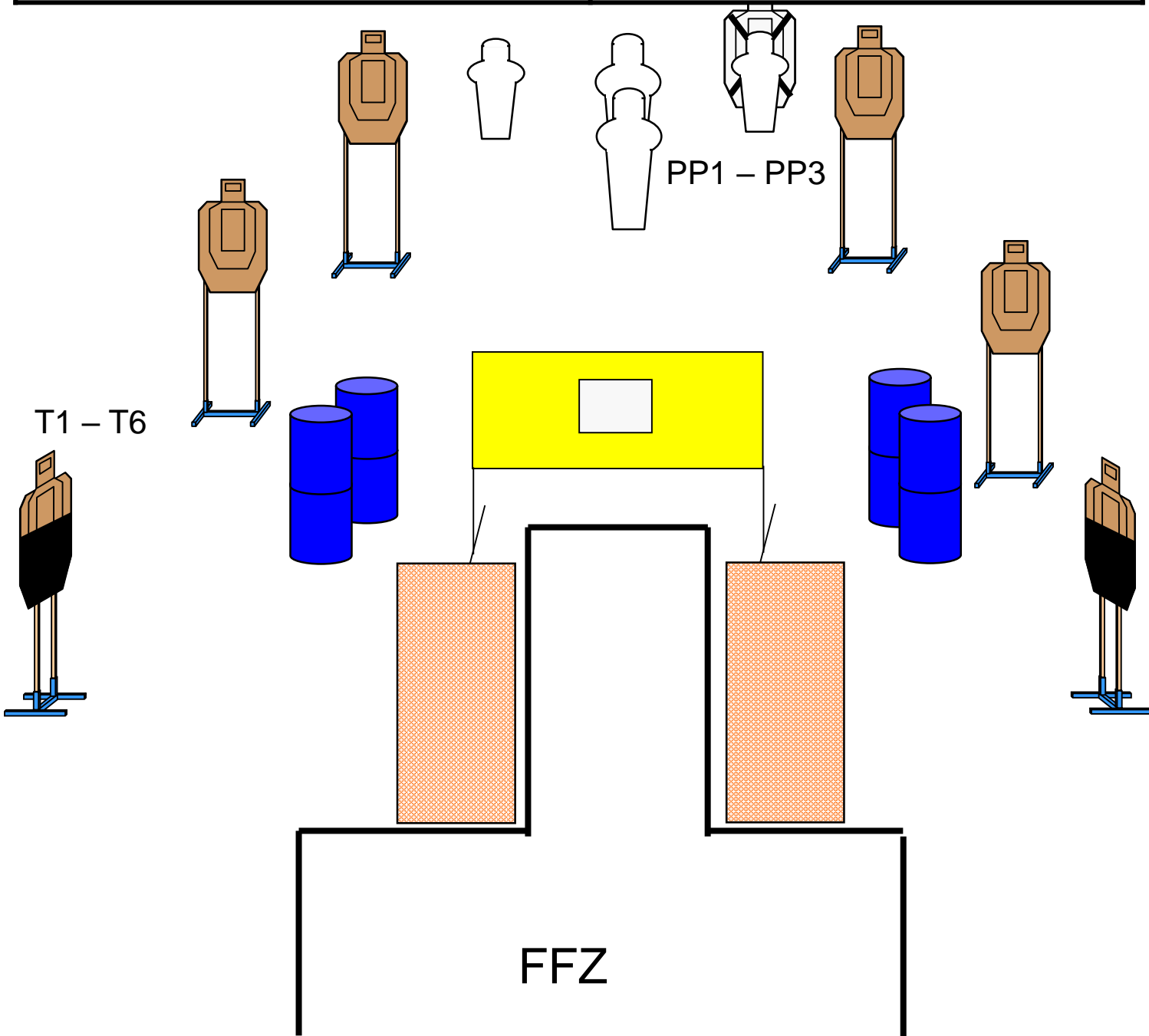
SCORING: Comstock, 16 rounds, 80 points

TARGETS: 6 paper; 4 steel

SCORED HITS: Best 2 hits/paper; KD steel = 1A

START-STOP: Audible - Last shot

RULES: USPSA current edition





LIPSA 2019 November USPSA Match

Stage 3 – Boxed In

Course Designer: R. Esposito

START POSITION: Standing in Box A, facing uprange, wrists above shoulders.

GUN READY CONDITION: Loaded pistol on table with muzzle pointed safely downrange IAW USPSA rules

PCC Start: Same as above.

SCORING: Comstock, 16 rounds, 80 points

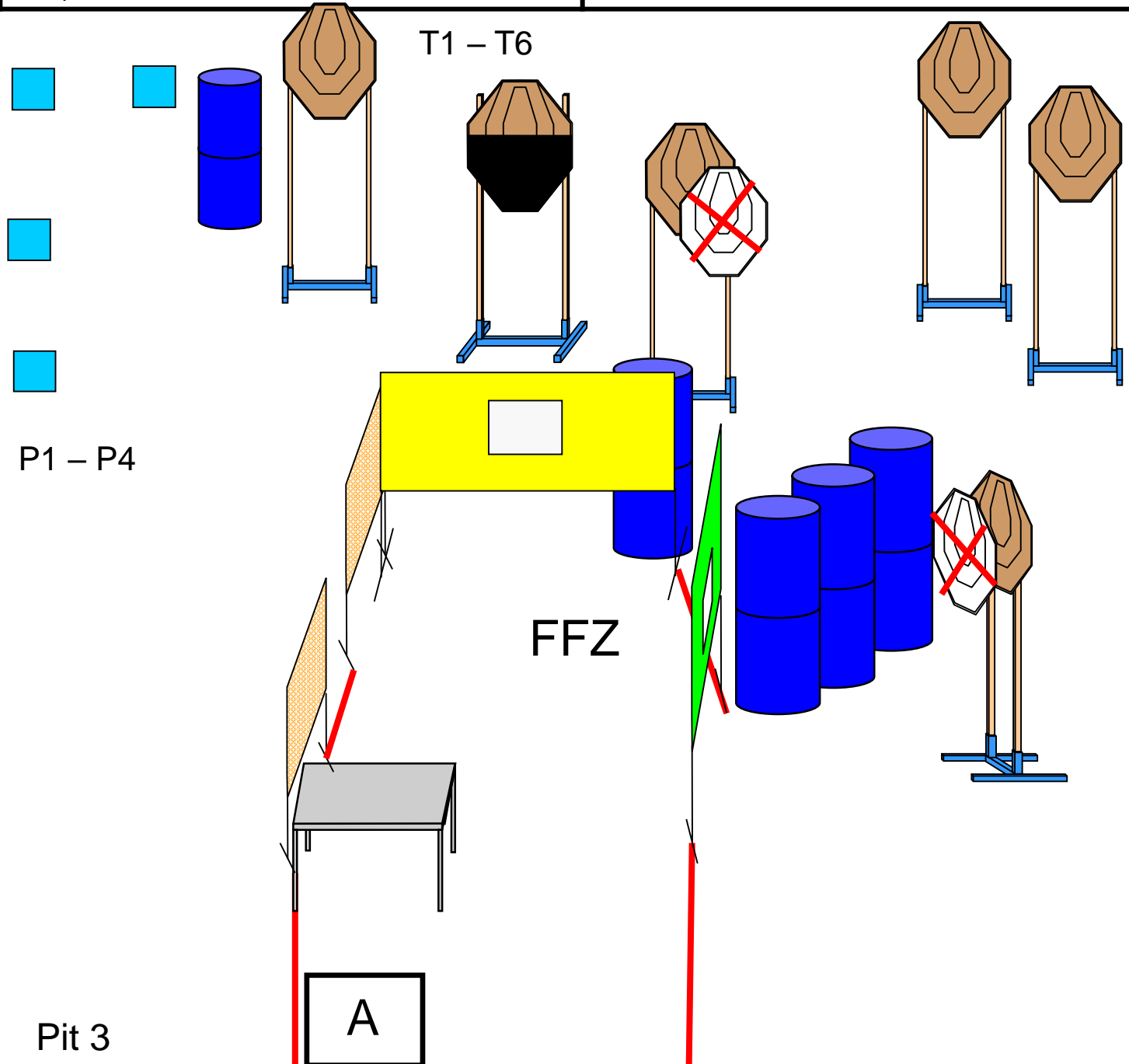
TARGETS: 6 paper, 4 steel plates

SCORED HITS: KD steel = 1A

START-STOP: Audible - Last shot

RULES: USPSA current edition

STAGE PROCEDURE: Upon start signal, engage all targets as they appear from within the FFZ. Box A is NOT part of the FFZ.





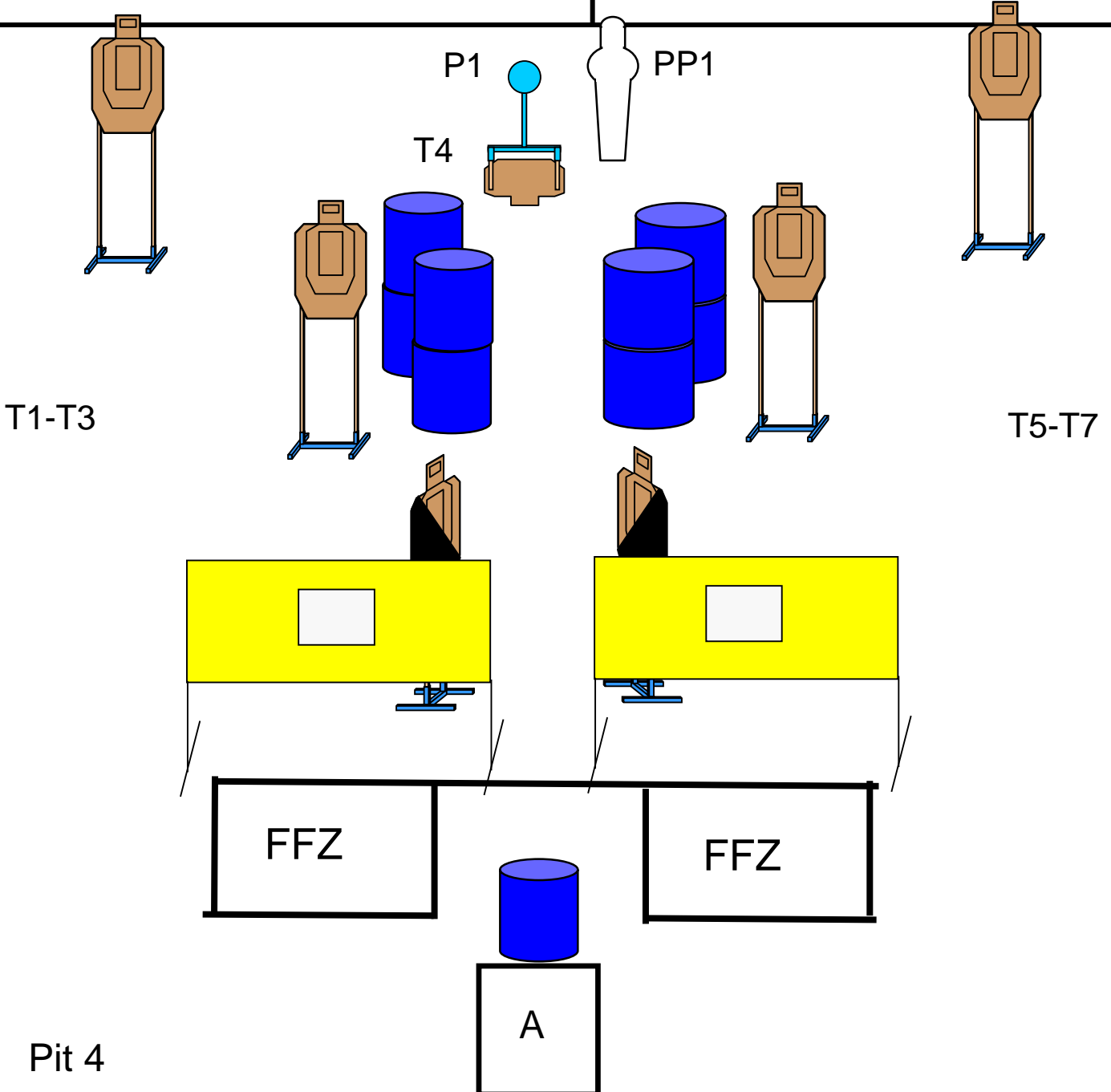
LIPSA 2019 November USPSA Match
Stage 4 – Straightaway
Course Designer: R. Esposito

START POSITION: Standing in Box A, facing downrange, hands naturally at sides

GUN READY CONDITION: Pistol loaded and holstered IAW USPSA rules
PCC Start: loaded PCC on barrel with muzzle pointed safely downrange

SCORING: Comstock, 16 rounds, 80 points
TARGETS: 7 Paper; 2 steel
SCORED HITS: **Best 2 hits/paper**, KD steel = 1A
START-STOP: Audible - Last shot
RULES: USPSA current edition

STAGE PROCEDURE: Upon start signal engage all targets as they appear from within Box A or FFZ's only.





LIPSA 2019 November USPSA Match

Stage 5 – Motor City II

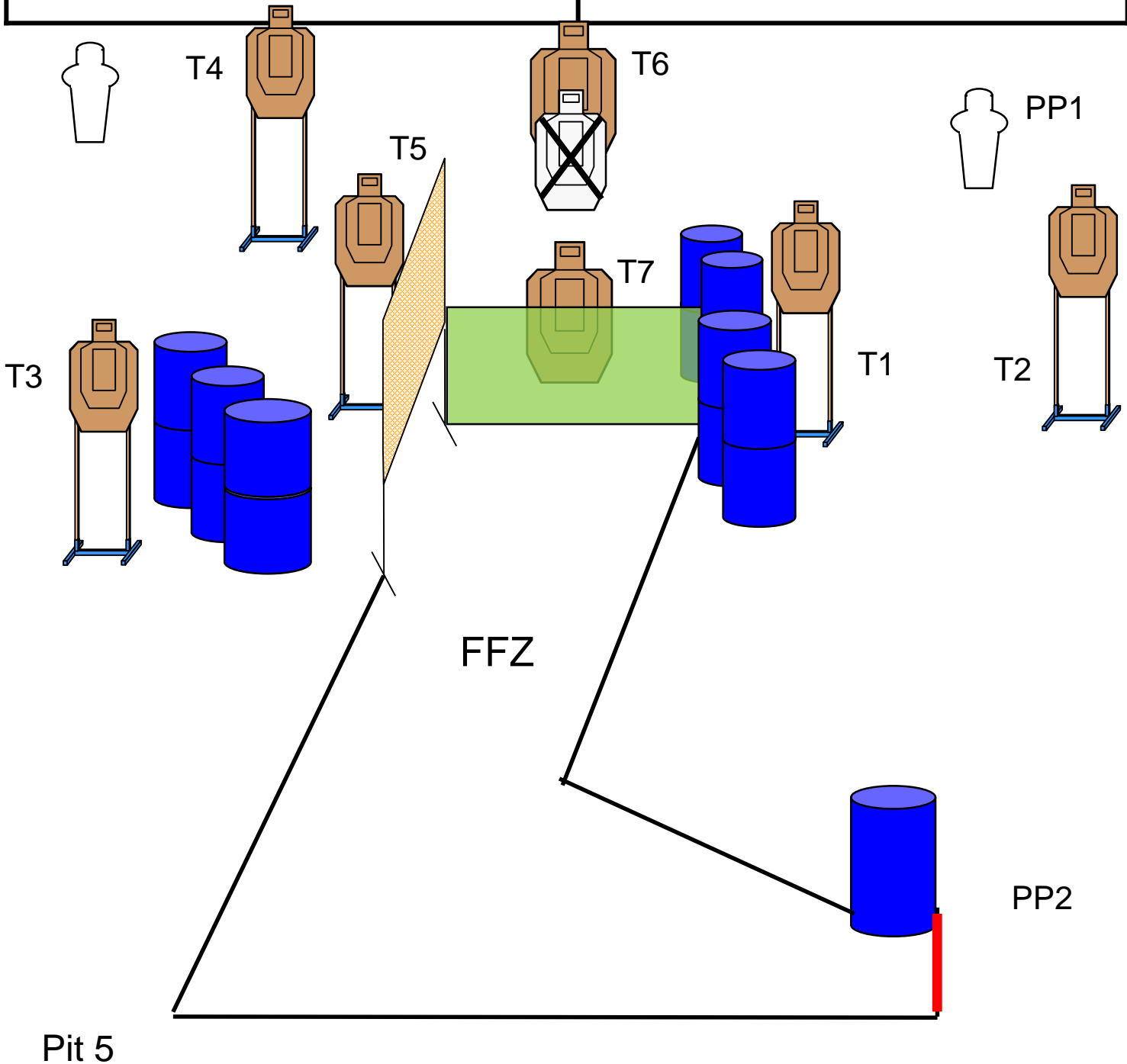
Course Designer: R. Esposito

START POSITION: Standing behind barrel, facing downrange, wrists above shoulders . Right foot touching red fault line.

GUN READY CONDITION: Pistol loaded and holstered IAW USPSA rules.
PCC Start : PCC loaded with stock touching belt.

SCORING: Comstock, 16 rounds, 80 points
TARGETS: 7 IPSC, 2 PP
SCORED HITS: Best 2 per paper, KD steel = 1A
START-STOP: Audible - Last shot
RULES: USPSA current edition

STAGE PROCEDURE: Upon start signal, engage all targets from within the FFZ.





LIPSA 2018 November USPSA Match
Stage 6 – Lefty’s Revenge
Course Designer: R. Esposito

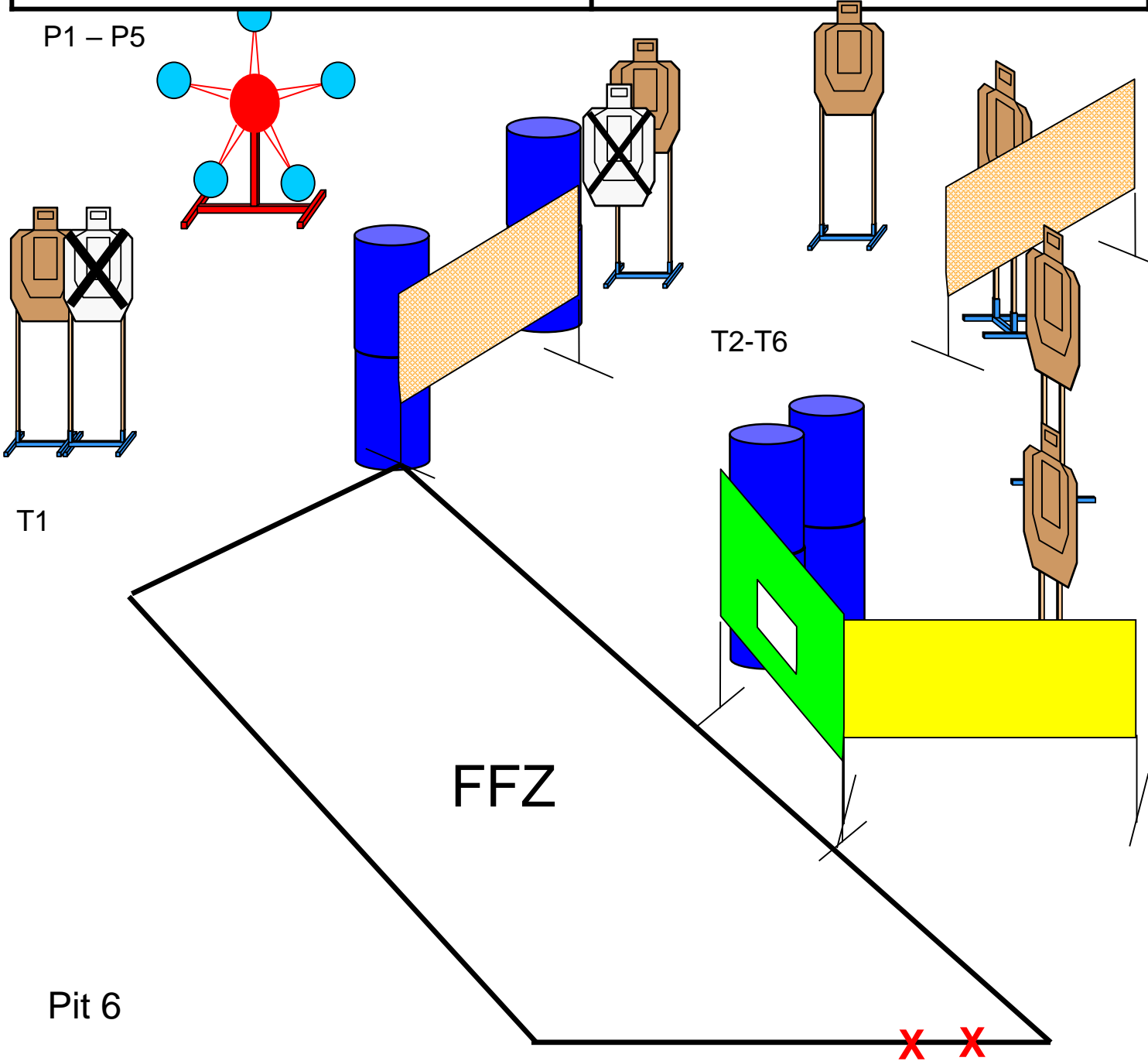
START POSITION: Standing in FFZ, facing downrange, with heels touching X’s

GUN READY CONDITION: Loaded and holstered IAW USPSA rules.

PCC start: Butt of PCC touching belt with muzzle pointed safely downrange.

SCORING: Comstock, 17 rounds, 85 points
TARGETS: 7 IPSC, 2 Plates
SCORED HITS: Best 2 per paper, KD steel = 1A
START-STOP: Audible - Last shot
RULES: USPSA current edition

STAGE PROCEDURE: Upon start signal, engage all targets as they appear from within the FFZ. T2 & T6 are appearing targets activated by P1 and P2 respectively..





LIPSA 2019 November USPSA Match

Stage 7 – Flying “V”

Course Designer: R. Esposito

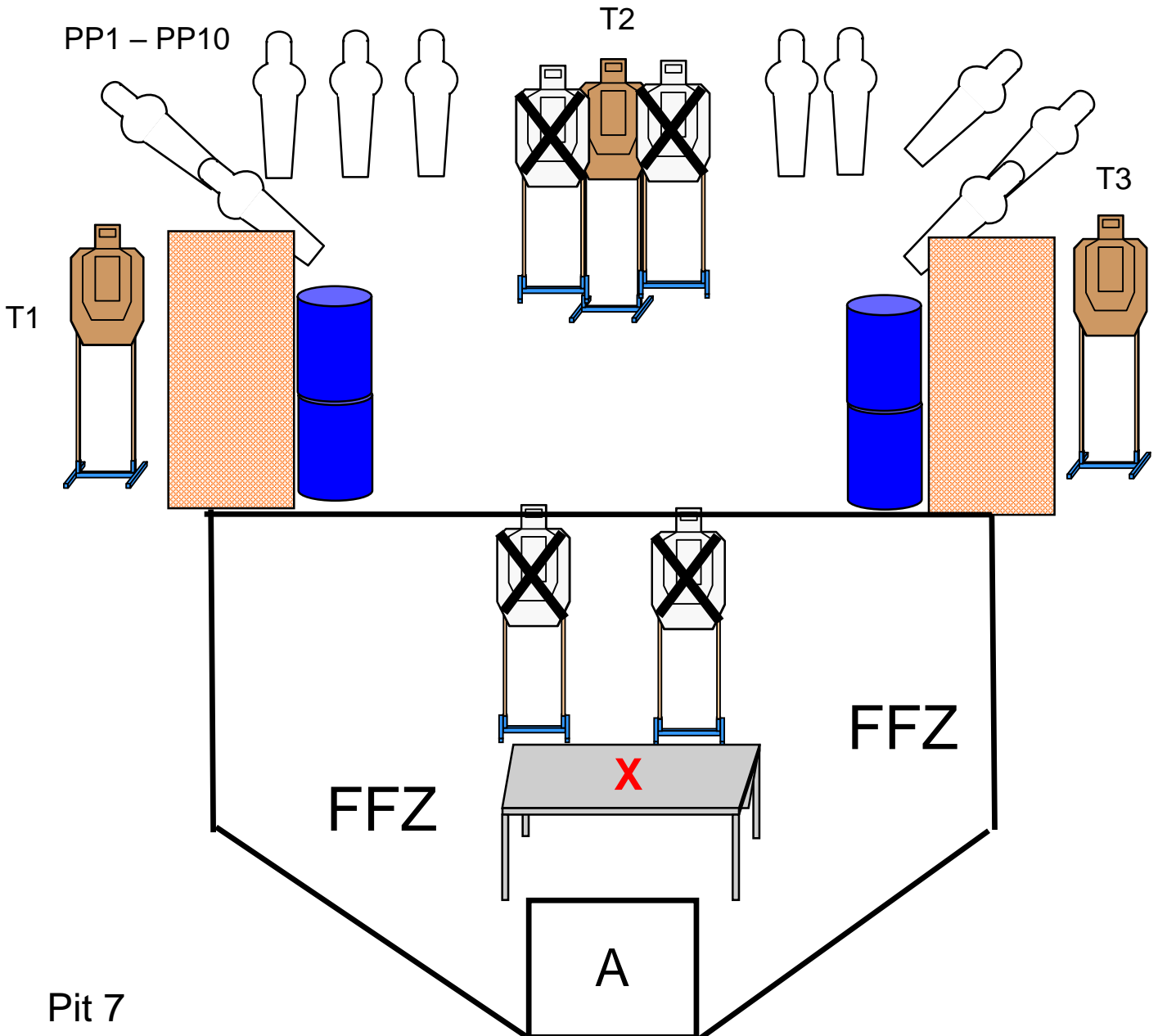
START POSITION: Standing in Box A, facing downrange, wrists above shoulders

GUN READY CONDITION: Unloaded pistol and first mag on table with muzzle pointed safely downrange IAW USPSA rules. Trigger guard to be centered over “X”.

PCC: Same as above.

SCORING: Comstock, 16 rounds, 80 points
TARGETS: 7 IPSC, 1 USP, 1 Plate
SCORED HITS: Best 2 per paper, KD steel = 1A
START-STOP: Audible - Last shot
RULES: USPSA current edition

STAGE PROCEDURE: Upon start signal, engage only T1-T3 from Box A. Enter FFZ' and engage remaining targets as they appear. T1-T3 may be re-engaged in the FFZ.





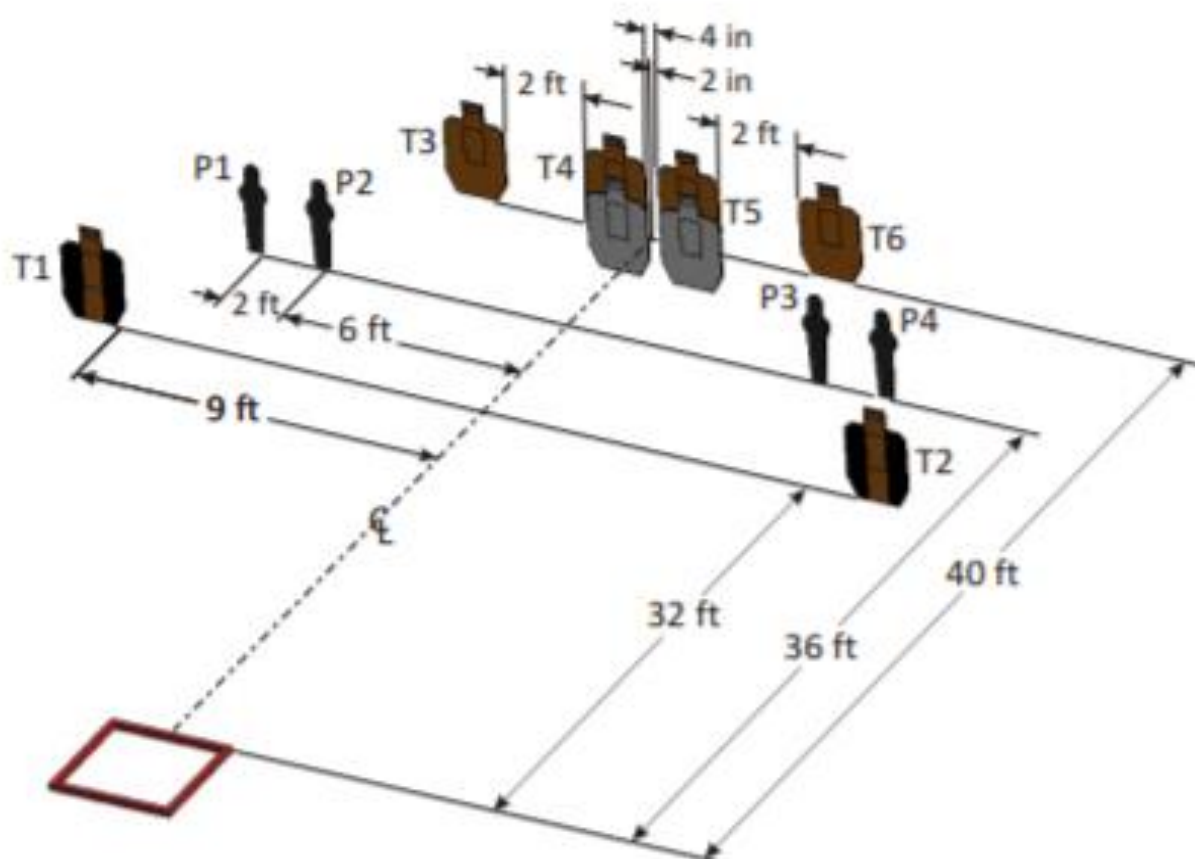
CM 18-05 No Need To Believe In Either Side

RULES: USPSA Handgun Competition Rules, current edition. Course Designer: Nationals Design Team

STAGE PROCEDURE

From within box engage T1-T2 and P1-P4 or T3-T6 then perform a mandatory reload and engage remaining targets. Arrays may be engaged in any order

Scoring: Comstock, 16 rounds, 80 points
Targets: 6 USPSA Targets,
4 Mini USPSA Poppers
Scored Hits: Best 2/paper, Steel must fall
Start - Stop: Audible - Last Shot
Penalties: Per current edition of USPSA Handgun Competition Rules.



SETUP NOTES: Set targets 5 feet to top. Box is 3 feet by 3 feet. Left edge of no-shoot is lined up with left edge of A-zone, top of no-shoot (not the scoring zone line) is lined up with bottom of target lettering. Targets T1 & T2 hardcover is set to both edges of A-zone.



CM 18-05 No Need To Believe In Either Side

No Need To Believe In Either Side is a 16 round, 80-point, Comstock Speed Shoot. There are 6 USPSA targets and 4 USPSA Mini poppers. The best 2 hits per paper will score and steel must fall to score.

The handgun start position is standing inside shooting area, wrists below belt with handgun loaded and holstered.

The PCC start position is standing inside shooting area, holding loaded PCC, stock on belt, and muzzle pointing downrange.

On the audible start signal from within shooting area, engage T1-T2 and P1-P4 or T3-T6, perform a mandatory reload between arrays, and engage remaining targets. You may engage arrays in any order.





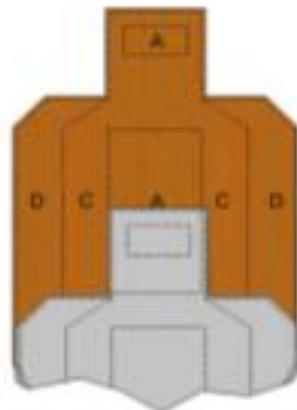
CM 18-05 No Need To Believe In Either Side



Targets T3, T4, T5 & T6



Targets T1 & T2, hardcover set to edge of A-Zone



NO-SHOOT DETAIL

